

## 300, 400 MHz Dipole Antenna

The DP300A and DP400A dipole antennas come with a 7-ft. RG-174 cable with Male Phono (RCA) connector. These antennas mate with Applied Wireless RCR series receivers to provide added gain over a standard ¼-wave whip antenna, especially when a ground-plane is not present. The dipole should be mounted vertically for omnidirectional coverage; it may be mounted horizontally for directional coverage. Comes with 3M adhesive for window mounting, or can be screwed to an appropriate surface. Dipoles with different length cables available as custom order.



### Features

- Window or Wall Mountable
- 50-Ohm Impedance
- Interfaces with RCR and RCR(B/C)3R Series Receiver

### Ordering Information

<i>Model</i>	<i>Frequency (MHz)</i>
DP300A	303.825 – 315.000
DP400A	418.000 - 433.920

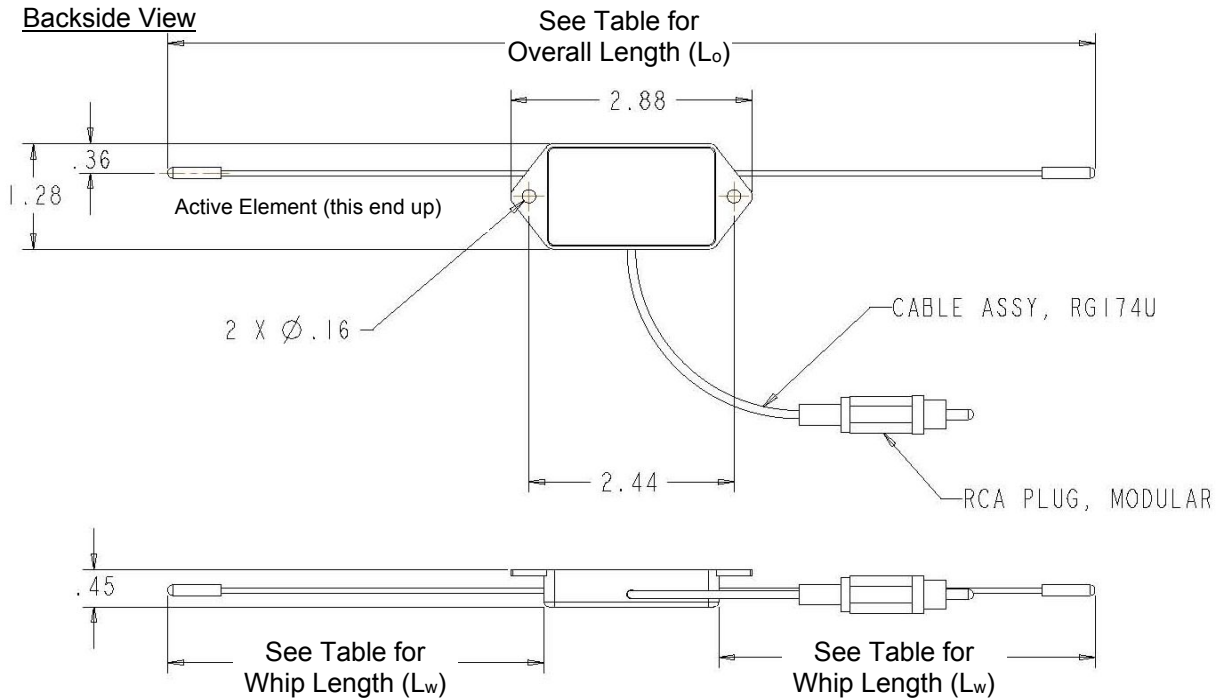
### Electrical Characteristics

Sym	Parameter	Min	Typ	Max	Unit
Z	Impedance		50		ohms
	VSWR		2:1		

### Maximum Ratings

Sym	Parameter	Value	Unit
P <sub>in</sub>	Input Power	1	Watt
T <sub>stg</sub>	Storage Temperature	-50 to +150	C

## Package Dimensions



Antenna Length (Overall & Whip) (all dimensions in inches)		
Model	Overall Length ( $L_o$ )	Whip Length ( $L_w$ )
DP300A	11.15	4.52 REF
DP400A	8.40	3.15 REF

## Mounting Instructions Dos and Don'ts

### Do:

- Mount Vertically with the active element up.
- Mount at least 9" away from a metal surface. See exception below.

### Do Not:

- Mount on a metal surface unless the active element is above the edge of the metal.

Specifications subject to change without notice or obligation.

**www.appliedwireless.com • Tel: (805) 383-9600 • Fax (805) 383-9001**